

Retail Linear Imaging Scanner

1100



- ▣ Ergonomic and Light Weight
- ▣ Small Size (150mm)
- ▣ Reading Distance : from 2 cm up to 29 cm
- ▣ Ideal for Retail Applications

1100 Retail Linear Imaging Scanner

Specifications

Electrical

Voltage:	+5V +/- 10%
Power Consumption	
Operation:	80 mA
Standby:	15 mA

Environmental

Temperature:	0°C~50°C (operating) -20°C~60°C (storage)
Humidity:	10%~90% non-condensing (operating) 0%~95% non-condensing (storage)
Shock Resistance:	Withstand multiple drops from 2.0M onto a concrete surface

Physical

Weight:	165g
Housing:	ABS and Rubber
Switch:	Micro switch
Color:	2 Tone Light Grey / Dark Grey
Dimensions:	91 x 73 x 146 mm (L x W x H)

Optical

Light Source:	Red LED (630nm)
Resolution:	Up to 0.125mm (5mil)
PCS (Min.):	0.45
Scanning Engine:	100 scans/sec
Ambient Light Rejection:	Maximum 2000 lux fluorescent light or 1000 lux sun light

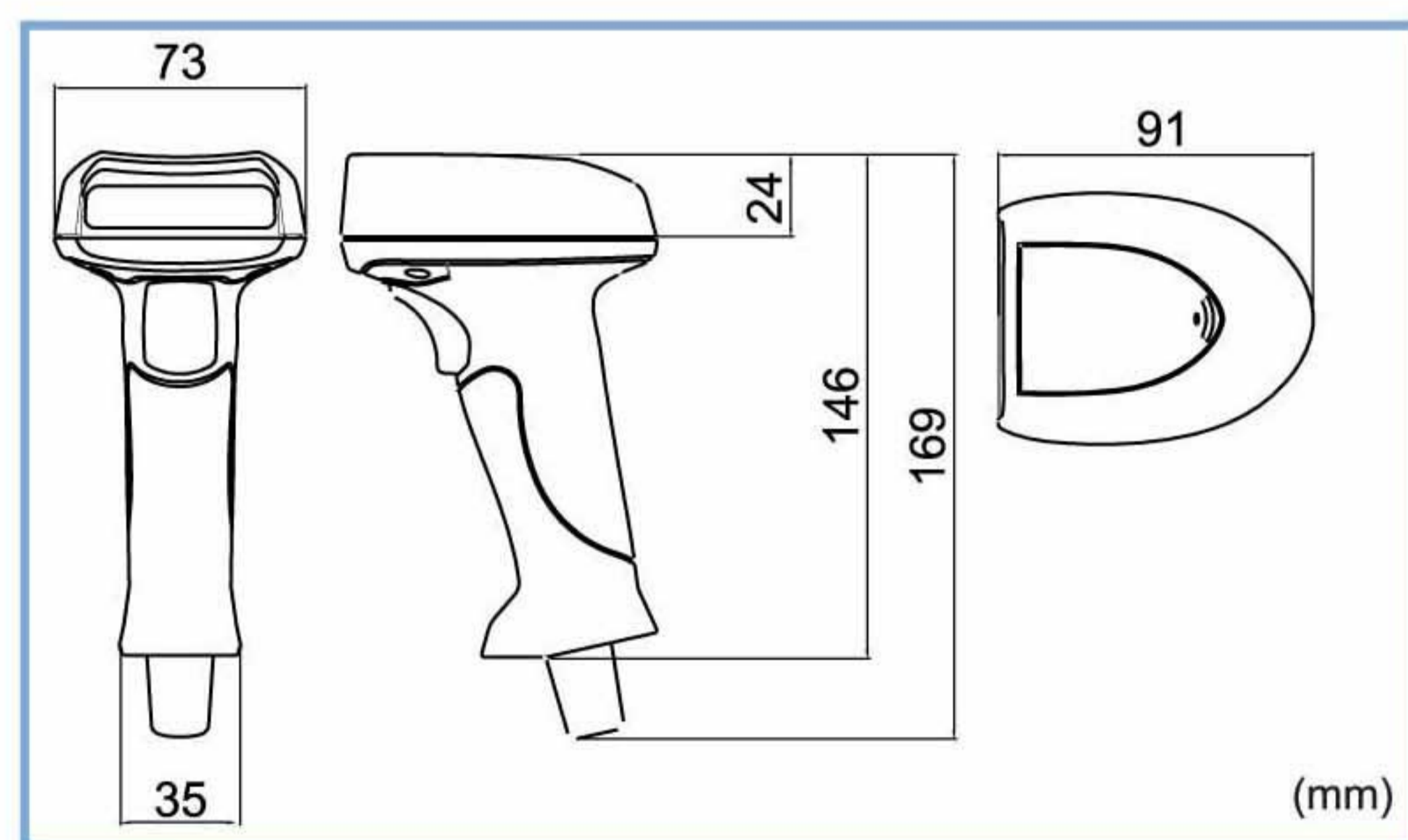
Safety & Regulatory Approvals

FCC class-A, CE, C-tick

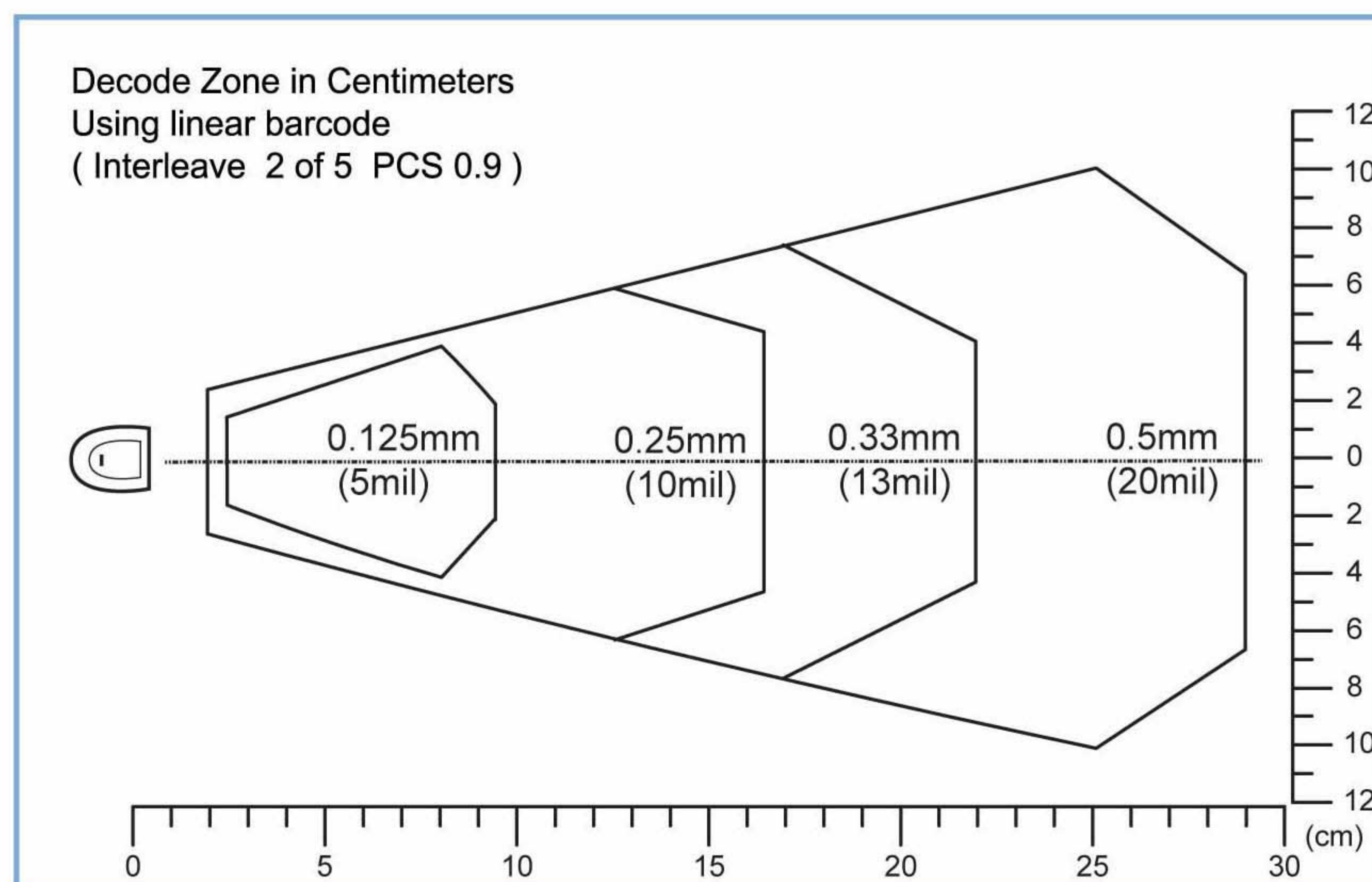
Warranty

1 Year

Dimensions



Reading Performance



Features

Keyboard Auto-detection:	Built-in Keyboard emulator for laptop (phony keyboard included)
CPU:	16-bit CMOS, low power consumption
Interface Type:	K-B Wedge, RS232, Wand Emulation, USB
Symbology Supported:	Code 39/Full ASCII, Codabar, Pharma Code, Industrial 2 of 5, Interleave 2 of 5, Matrix 2 of 5, Code 93, Code 128, EAN 128, MSI, EAN 8&13, UPCA & E, Plessey, RSS14, TELEPEN
Keyboard Interface:	IBM PC/XT/AT & compatible, PS2-30, PS-55
Indicator Buzzer:	Programmable Tone
LED:	Red Color for Good Read ; Green Color for Status
Programmable Features:	Autosense Mode Code ID, Prefix code, Postfix Code, Length Code, Barcode type. Buzzer frequency, ISBN/ISSN/CLSI/UK Plessey conversion, Keyboard layout, Inter-character delay, Scanning mode, Language type, Time out, Baud rate, Data bit, Transmission mode, Character replacement
Data Editing Mode:	Three editing formats are supported. The following conditions can be programmed: code type, data length and location. Data can be divided into 6 Matching string fields. Five additional fields can be programmed for each editing format. User programmable field transmission sequence.
Language Support:	English(US), English(UK), French, Italian, Belgian, Norwegian/Swedish, Spanish, Portuguese, German



Headquarters <http://www.cipherlab.com>

Syntech Information Co., Ltd. 12F, 333 Dunhua S. Rd., Sec 2, Taipei, Taiwan 106 TEL: +886 2 8647-3300 FAX: +886 2 8732-3300

USA <http://www.cipherlab.com>

Syntech West Inc. 3404 57th Street, NW Suite B, Gig Harbor, WA 98335, U.S.A. TEL: +1 253 858-7906 FAX: +1 253 858-7713